

TITAN® E120X



120,000 AMP PANEL PROTECTION

EFI Titan E120X is a multi-phase surge suppressor and noise filter in a compact and affordable package. The compact design of the Titan E120X allows protection to be installed adjacent to power panels or directly on sensitive equipment to protect against damage and disruption in the worst electrical conditions.

Compliant with UL 1449 4th Edition



APPLICATIONS

The Titan E120X is a versatile and compact surge protection device designed to provide high quality protection for a wide variety of commercial, industrial or institutional applications. The Titan E120X is excellent as a component in a suppression network or as a standalone protector.

SUPERIOR PERFORMANCE

The E120X utilizes a high energy suppression circuit that provides 120,000 peak amps of surge current rating per phase along with EFI's sine wave tracking circuitry that provides up to -30 dB of noise attenuation.

The E120X units provide reliable operation by incorporating EFI's latest developments. Each surge suppression mode is individually fused and the products are contained in a Type NEMA 4X housing. The E120X units have been tested and listed by UL and cUL.

EASY INSTALLATION

The EFI Titan E120X mounts adjacent to the panel through a direct nipped connection. The E120X allows flexible mounting near the circuit breaker to be used in order to reduce lead lengths and improve protection.

FEATURES	ADVANTAGES	BENEFITS
COMPACT DESIGN	Easily mounts even in restricted spaces	Improves quality of protection
120,000 PEAK AMP CAPACITY	Provides protection against high energy lightning strikes	Keeps valuable electronics safe even in the worst electrical conditions
SINE WAVE TRACKER™ CIRCUITRY	Suppresses transients closer to the sine wave	Improves protection to the equipment
LED STATUS INDICATION	Provides visual indication of the suppressor status	Allows immediate response if suppressor is damaged
SUPPRESSION STATUS ALARM	Provides immediate alarm if suppression is ever damaged	Prevents operating without protection
THERMAL FUSE	Thermal fuse capable of extreme surge currents	Provides reliable operation and prevents dangerous thermal run-a-way when MOV's are damaged

TITAN® E120X Product Specifications



PERFORMANCE

Max Surge Current	120 KA/phase
Short Circuit Current Rating	200 KA
EMI/RFI Noise Rejection	Up to -30 dB
Sine Wave Tracking	Yes

MECHANICAL DESCRIPTION

Dimensions	See images
Housing Ratings	NEMA 4X
Product Weight	6.7 lb
Connection Method	#10 AWG Wires
Mounting Method	Closed Nippled
Thermal Fusing	Yes
Operating Frequency	50/60 Hz
Storage Temperature	-40° to +160° F (-40° to +70° C)
Operating Temperature	-40° to +140° F (-40° to +60° C)
Operating Altitude	Sea Level to 12,000 ft. (3,658 m.)

DIAGNOSTICS

Standard	Green Status LED
	Audible Alarm
	Dry Contacts

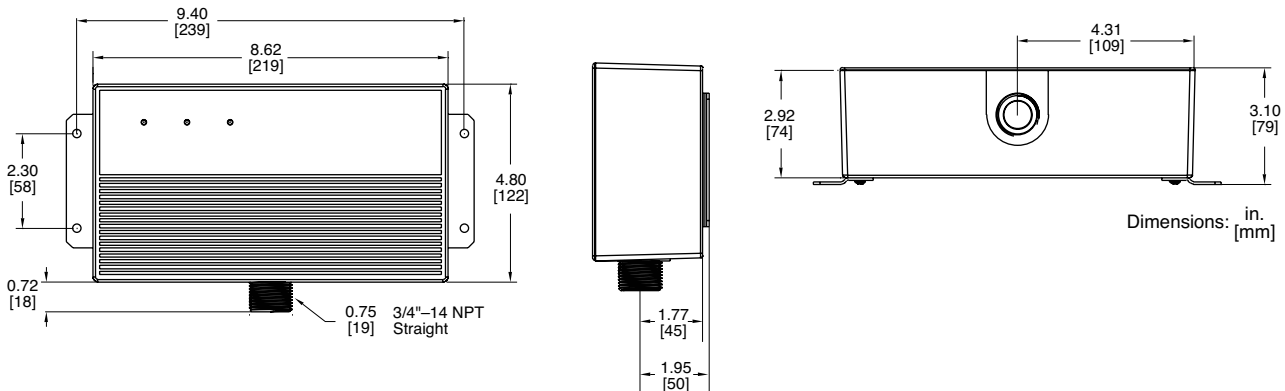
SAFETY APPROVALS

cUL_{us} 1449 4th Edition requirements, cUL, UL 1283 (wye products only), CSA C22.2 No.8- M1986, IEEE C62.41.1-2002, C62.41.2-2002, C62.45-2002

WARRANTY

10 years on Product

E120X



TITAN E120X SYSTEM DESCRIPTION						UL 1449 2-nd EDITION			
	Service Voltage	Configuration	Model Number	SCCR	MCOV	L-N	L-G	N-G	L-L
120kA/Phase	120/208 wye	3Ph. Wye 4-wire +G	E120X120/208Y	200 kA	150	400	400	400	800
	120/240 wye (Single Phase)	1Ph. Wye 3-wire +G	E120X120/240Y	200 kA	150	400	400	400	800
	220/380 wye	3Ph. Wye 4-wire +G	E120X220/380Y	200 kA	320	800	800	800	1600
	240/120 delta	3PH. Delta High Leg	E120X240/120D	200 kA	275/150	800/400	400	400	1500/800
	277/480 wye	3Ph. Wye 4-wire +G	E120X277/480Y	200 kA	320	800	800	800	1600

NOTE: Model numbers with a "Y" after the voltage indicator number designates a Wye configuration.

NOTE: Model numbers with a "D" after the voltage indicator number designate a delta configuration.